



■ AC Power Cord Type for Desktop Type (if)

AC plug type	2/3 pin Euro	2/3 pin USA	2/3 Pin China	2/3 pin AU	2/3 pin JP	2/3 pin KR	2/3 pin AR	3 pin UK	3 pin South Africa	Interchangeable
Yes	√	√	√	√	√	√	√	√	√	/

■ AC inlet Type for Desktop Type

Insulation Class	Class I	Class I	Class II
AC inlet type	3 pole IEC320-C6	3 pole IEC320-C14	2 pole IEC320-C8
Shape No(1).	/	KRE150A-C14	KRE150B-C8

■ Features

- Universal AC input Full range
- 2 pole IEC320 AC C8 inlet and 3 pole C14, Class I, II power unit
- No load power consumption < as per Level VI
- Energy efficiency Level VI
- Comply with EISA 2007 / DoE and NRCAN
- Protections: Short circuit / Overload / Over voltage
- Fully enclosed plastic case
- Wide range working temperature

■ Applications

- Consumer electronic devices
- Telecommunication devices
- Office facilities
- Industrial equipment



■ Description

KRE150x is a highly reliable, 150W single-output green adaptor series. This product is a class I, II power unit, equipped with standard AC power inlet, adopting the input range from 90VAC to 264VAC. The entire series supplies different models with output voltages ranging between 11VDC and 55VDC that can satisfy the demands for various types of consumer electronic devices.

■ Characteristics

Input:

AC Input Voltage Rating

100 to 240VAC

AC Input Voltage Range

90 to 264VAC

AC Input Frequency

47 to 63Hz

Leakage Current

0.25A maximum at 264VAC

Inrush Current (Cold Start at ambient 25° C)

30A for 120VAC and maximum load 60A for 240VAC at maximum load

Input Power Saving

0.1W maximum at no load

Output: Efficiency

Meet energy saving efficiency level VI.

Hold-up Time

10mS minimum at 120VAC and maximum load

Environmental Temperature

Operation 0 to +40° C
 Non-operation -40 to +85° C
 Humidity 10-90% non-condensing

Short-Circuit Protection

Auto restart

Emissions

Complies with FCC Class B Complies with EN55032 Class B

Immunity

EN55035			
EN55032			
EN62233			
EN55014-1	Level	EN55014-2	Level
EN61000-3-2	Level	EN61000-3-3	Level
EN62368	Level	EN60335-1	Level

Dielectric Withstand (Hi-pot) Test Primary to Secondary:

3500V AC for 1 min., 10mA
 Primary to F.G.: 1500V AC for 1 min., 10mA

DC Output Connector

2.5 x 5.5mm Center Positive+ Standard or equivalent,
 Or see [KRE-connectors-Spec.pdf](#)
<https://www.kreco.com.cn/view.php?id=1285>

Output Cable

1.5 meter (4.92 feet), UL1185, from 24-14AWG gauge or equivalent

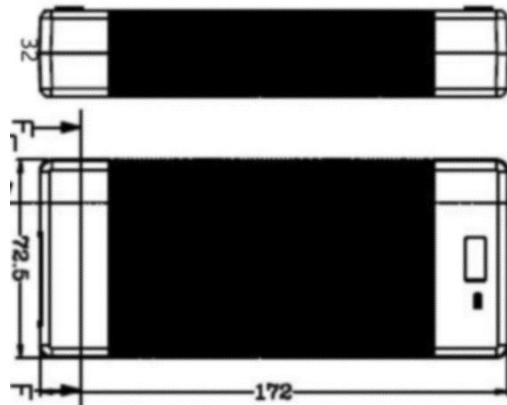
Mating Connector

Equivalent

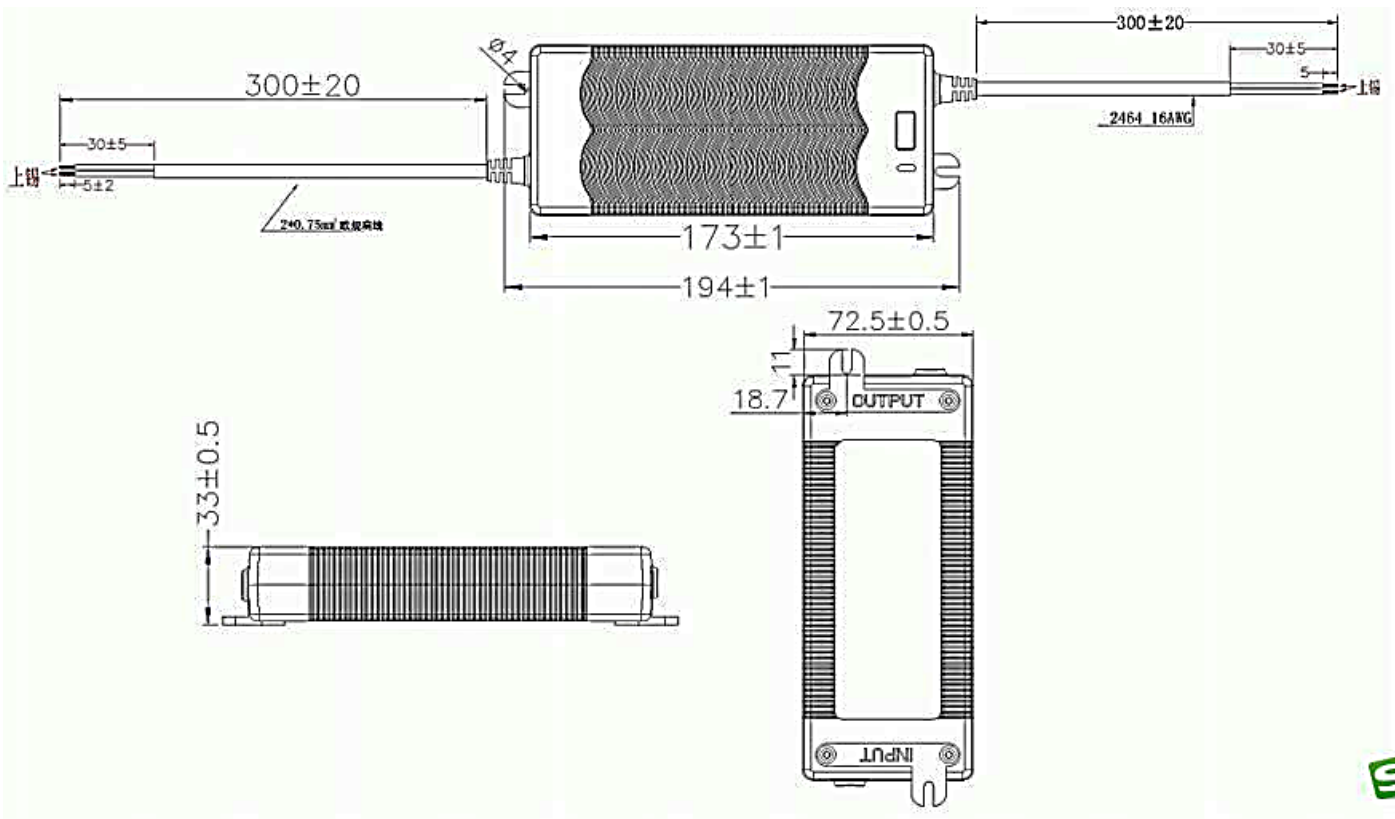


■ Mechanical Dimension Diagram (Unit:mm)

KRE150A-C14



KRE150B Cable In/Out type



■ Output Specifications

Model No. (2)(3)(4)	DC Output Voltage	Load		Output Power	Safety Approvals	Energy Saving Level	Standards
		Min	Max				
KRE-xxxxyyyD	11.0- 15.5V	0.01A	10.0A	120W max.	CCC/CQC,UL/CUL/FCC,CE/GS/EMC, RCM,TUV/BS1363/UKCA,EK,PSE	V&VI	EN/IEC/UL62368/ GB4943/8898/4706
	15.6- 22.0V	0.01A	9.0A	150W max.			
	22.1- 30.0V	0.01A	6.5A	150W max.			
	31.1- 41V	0.01A	4.98A	150W max.			
	41.1- 55.0V	0.01A	3.65A	150W max.			

- (1) X = A for Class I version, B for Class II version, E for EU version, U for US version, C for Chinese version, BS for UK version, S for Australian version, J for Japanes version, K for South Korea version, R for Argentina version, Z for South Africa (3 Big pins) version, I for Interchangeable version,
- (2) xxx for Output voltage and yyy/yyyy for output current, what you are going to order, please must specify to sales.
- (3) Safety approvals according to the plug type D are variables, which are different from each other, for example, D for AC inlet desktop type, DG/0G for Gigabit type, DM/0M for Megabit type, DGS for Gigabit Surge type, Z can be U and F can be U, H, V, W3 for 3pin AC-inlet, W2 for 2 pin AC-inlet etc.
- (4) Safety model number differs from the order number, part number, and shape number as per respective OEM/ODM/OBM.

Kreco is not responsible for any error, and reserves the right to make changes without notice. Please visit our website at <https://www.kreco.com.cn> for the most up-to-date specifications and contact information.