



■ AC Plug Type for Wall Mount Type

AC plug type	2 pin Euro	2 pin USA	2 Pin China	2 pin AU	2 pin JP	2 pin KR	2 pin AR	3 pin UK	3 pin South Africa	Interchangeable
Shape No.	KRE30E	KRE30U	KRE30C	KRE30S	KRE30J	KRE30K	KRE30R	KRE30BS	KRE30Z	

■ AC inlet Type for Desktop Type

Insulation Class	Class I	Class I	Class II
AC inlet type	3 pole IEC320-C6	3 pole IEC320-C14	2 pole IEC320-C8
Shape No.	KRE30A-C6		KRE30B-C8

■ Features

- Universal AC input Full range
- 2 pole US, EU, AU/NZ, EK, JP, AR,CN and 3 pole UK or ZA plug, Class II power unit
- No load power consumption < 0.1W
- Energy efficiency Level VI
- Comply with EISA 2007 / DoE and NRCAN
- Protections: Short circuit / Overload /Over voltage
- Fully enclosed plastic case
- Wide range working temperature

■ Applications

- Consumer electronic devices
- Telecommunication devices
- Office facilities
- Industrial equipment



■ Description

KRE30x is a highly reliable, 36W wall-mounted and desktop style single-output green adaptor series. This product is a class II power unit (no FG) and Class I with FG power unit, standard AC power plug, adopting the input range from 90VAC to 264VAC. The entire series supplies different models with output voltages ranging between 9VDC and 24VDC that can satisfy the demands for various types of consumer electronic devices.

■ **Mechanical Characteristics**

- see below Dimension Diagrams

■ **Characteristics**

Input:

AC Input Voltage Rating

100 to 240VAC

AC Input Voltage Range

90 to 264VAC

AC Input Frequency

47 to 63Hz

Leakage Current

0.25A maximum at 264VAC

Inrush Current (Cold Start at ambient 25° C)

30A for 120VAC and maximum load 60A for 240VAC at maximum load

Input Power Saving

0.1W maximum at no load

Output: Efficiency

Meet energy saving efficiency level VI.

Hold-up Time

10mS minimum at 120VAC and maximum load

Environmental Temperature

Operation 0 to +40° C

Non-operation -40 to +85° C

Humidity 10-90% non-condensing

Short-Circuit Protection

Auto restart

Emissions

Complies with FCC Class B Complies with EN55032 Class B

Immunity

AN/NZS CISPR32/33

EN55024 J55022(H22)

EN61000-4-2	Level	EN61000-4-3	Level
-------------	-------	-------------	-------

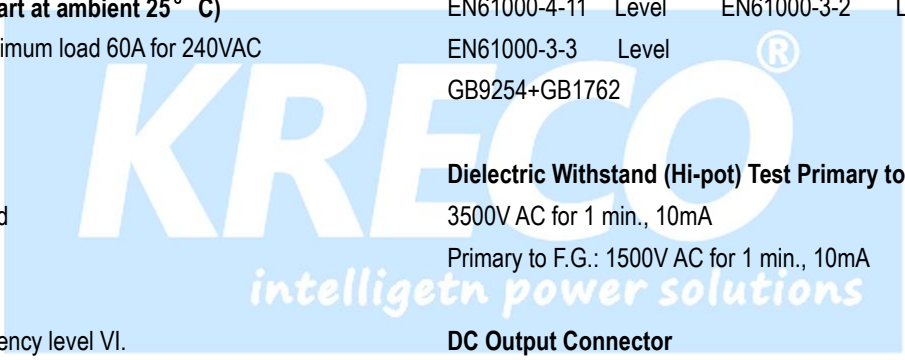
EN61000-4-4	Level	EN61000-4-5	Level
-------------	-------	-------------	-------

EN61000-4-6	Level	EN61000-4-8	Level
-------------	-------	-------------	-------

EN61000-4-11	Level	EN61000-3-2	Level
--------------	-------	-------------	-------

EN61000-3-3	Level
-------------	-------

GB9254+GB1762



Dielectric Withstand (Hi-pot) Test Primary to Secondary:

3500V AC for 1 min., 10mA

Primary to F.G.: 1500V AC for 1 min., 10mA

DC Output Connector

2.1 x 5.5mm Center Positive+ Standard or equivalent,

Or see *KRE-connectors-Spec.pdf*

<https://www.kreco.com.cn/view.php?id=1285>

Output Cable

1.5 meter (4.92 feet), UL2468, from 24-16AWG gauge or equivalent

Mating Connector

Equivalent

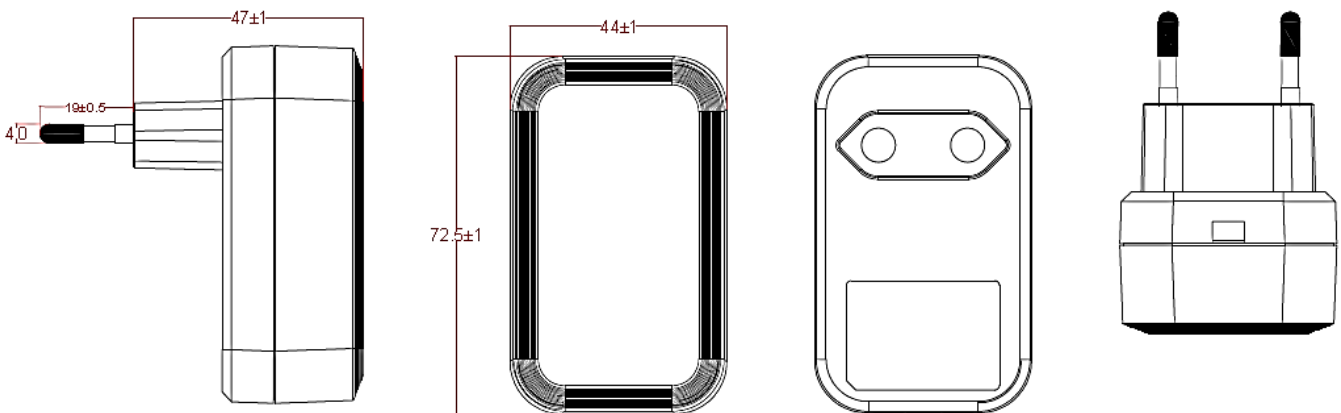
■ Output Specifications

KRECO P/N (see note)	DC Output Voltage	Load		Output Power	Safety Approvals	Energy Saving Level	Standards
		Min	Max				
KRE030SPS-xxxxyyzf or KRE-xxxxyyZ or LY030SPS-xxxxyyzf	5.0- 8.9V	0.01A	4.0A	20W max.	CCC/CQC,UL/CUL/FCC,CE/GS/EMC,R CM,TUV/BS,EK,PSE	V&VI	EN/IEC62368
	9.0- 15V	0.01A	3.0A	30W max.	CCC/CQC,UL/CUL/FCC,CE/GS/EMC,R CM,TUV/BS,EK,PSE	V&VI	EN/IEC62368
	15.1- 24V	0.01A	2.38A	36W max.	CCC/CQC,UL/CUL/FCC,CE/GS/EMC,R CM,TUV/BS,EK,PSE	V&VI	EN/IEC62368
	5.0- 8.9V	0.01A	4.0A	20W max.	CCC/CQC	V&VI	GB4943/8898/4706
	9.0- 15V	0.01A	3.0A	30W max.	CCC/CQC	V&VI	GB4943/8898/4706
	15.1- 24V	0.01A	2.38A	36W max.	CCC/CQC	V&VI	GB4943/8898/4706
	9.0- 15V	0.01A	3.0A	30W max.	BSMI	V&VI	
	5.0- 8.9V	0.01A	4.0A	20W max.	CE/GS/EMC,TUV/BS	V&VI	EN/IEC61558
	9.0- 15V	0.01A	3.0A	30W max.	CE/GS/EMC,TUV/BS	V&VI	EN/IEC61558
	15.1- 24V	0.01A	2.38A	36W max.	CE/GS/EMC,TUV/BS	V&VI	EN/IEC61558

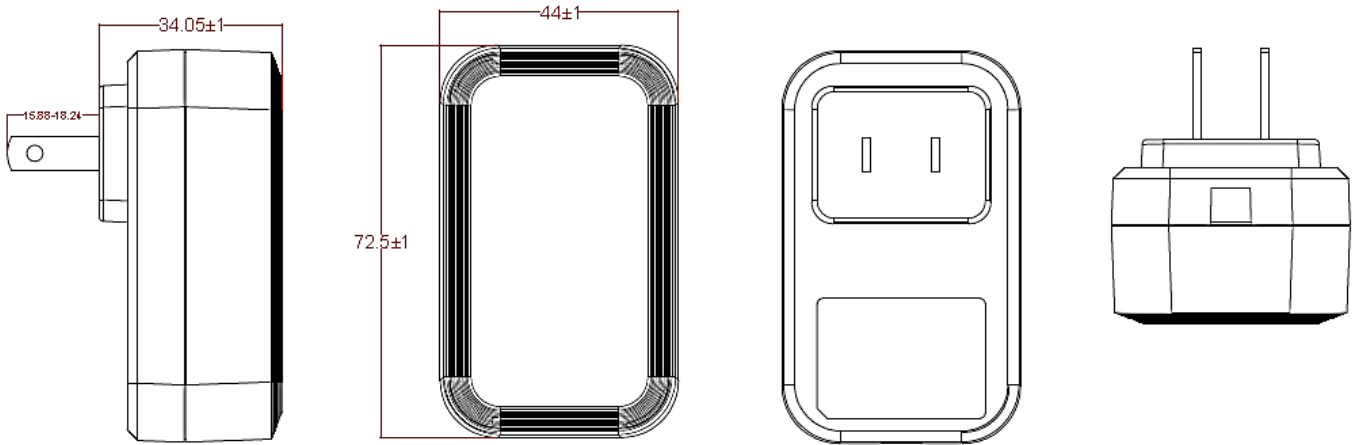
intelligent power solutions

■ Dimension Diagram for KRE30E

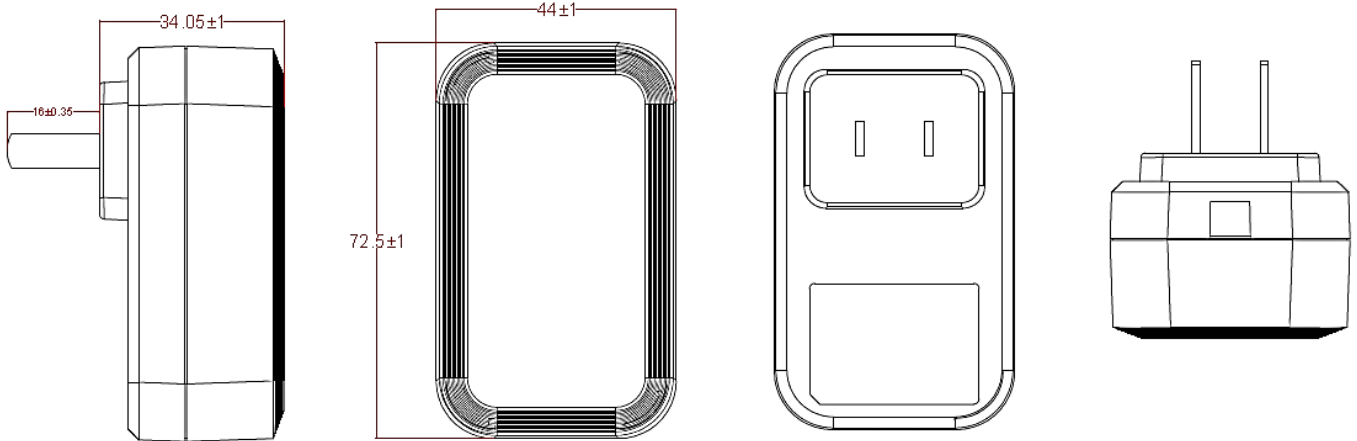
Unit:mm



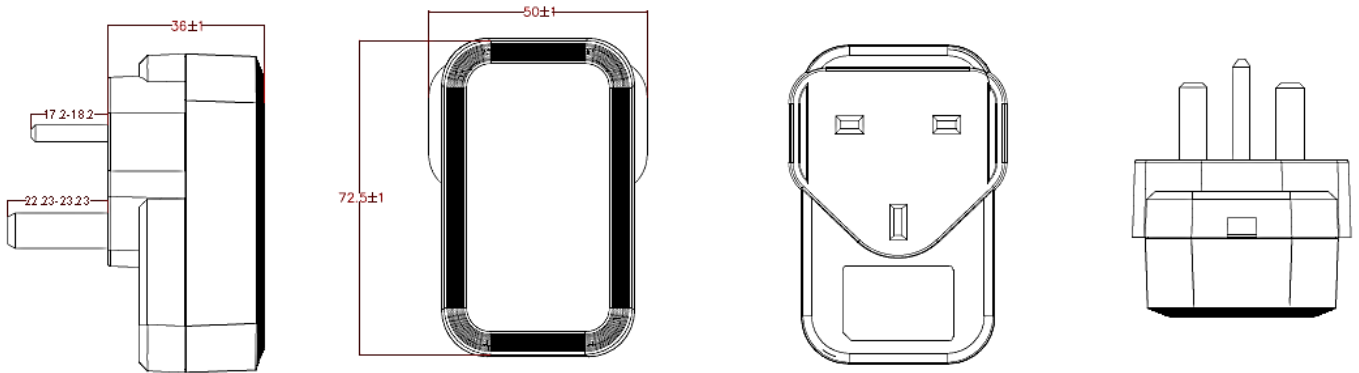
■ Dimension Diagram for KRE30U and KRE30J Unit:mm



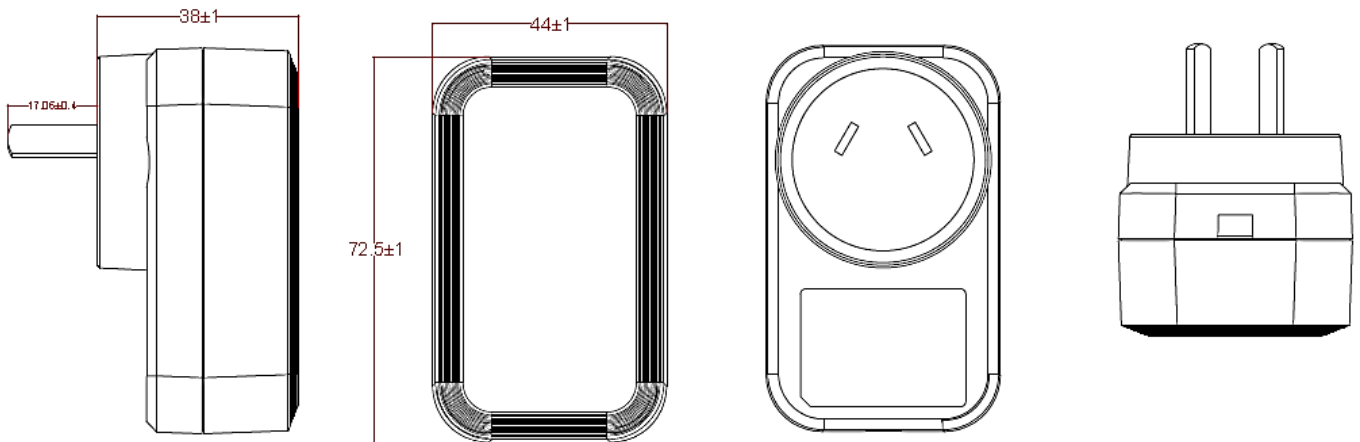
■ Dimension Diagram for KRE30C Unit:mm



■ Dimension Diagram for KRE30BS Unit:mm

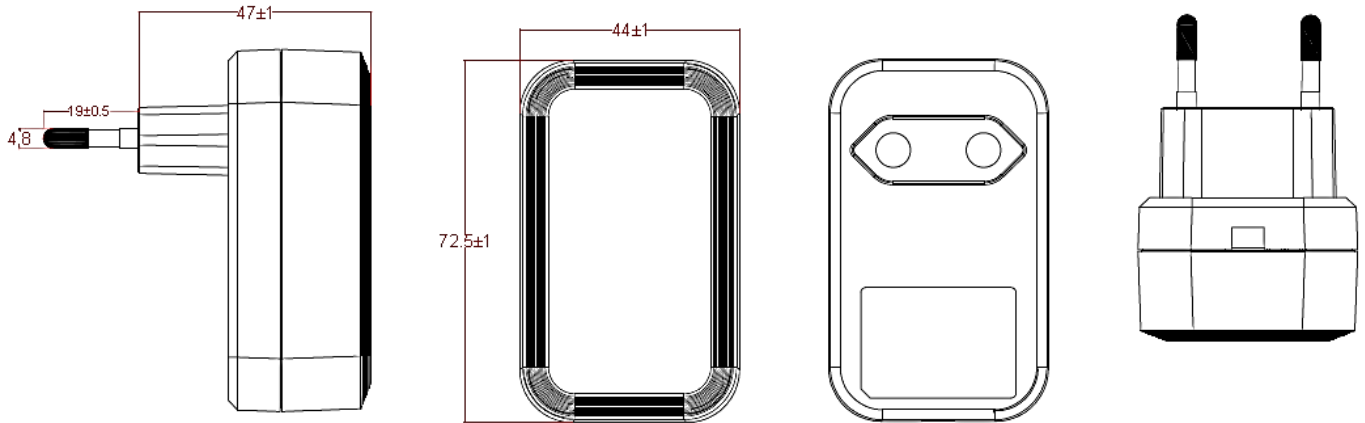


■ Dimension Diagram for KRE30S Unit:mm



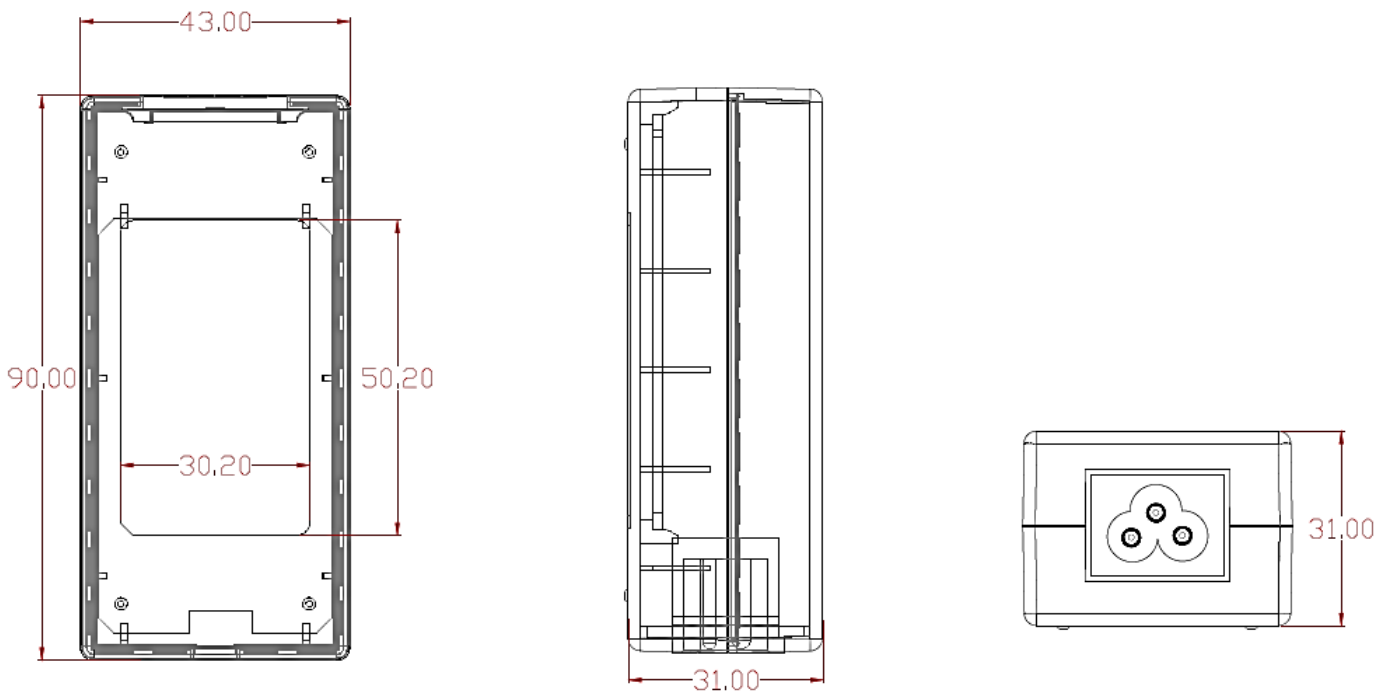
■ Dimension Diagram for KRE30K

Unit:mm



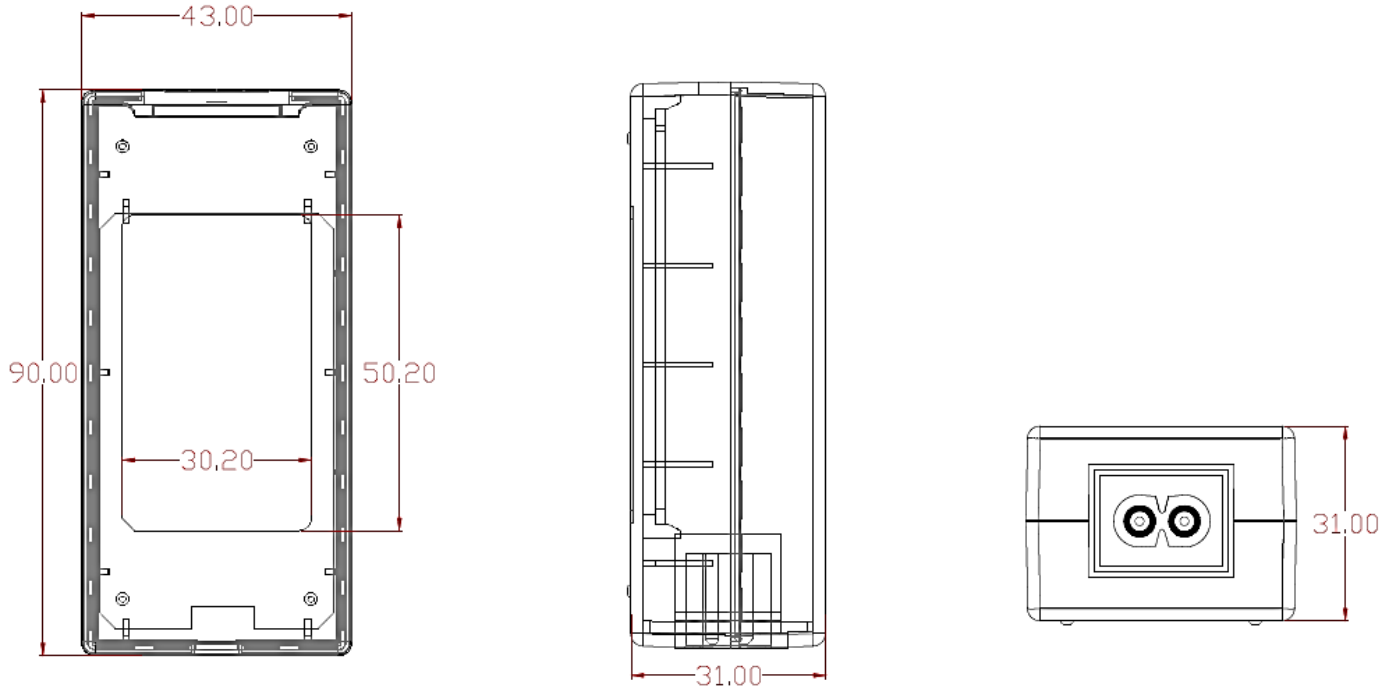
■ Dimension Diagram for KRE30A-C6

Unit:mm



■ Dimension Diagram for KRE30B-C8

Unit:mm



- (1) X = E for EU version, U for US version, C for Chinese version, BS for UK version, S for Australian version, J for Japanese version, K for South Korea version, R for Argentina version, Z for South Africa (3 Big pins) version, I for Interchangeable version,
 - (2) xxx for Output voltage and yyy for output current, what you are going to order, please must specify to sales.
 - (3) Safety approvals according to the plug type Z or F are variables, which are different from each other, for example, 0 for European plug, 1 for British plug, 2 for Australian plug, 3 for USA plug, 4 for Japan plug, 5 for China plug, 6 for Korea plug, 7 for South Africa plug, 8 for India plug, 9 for Argentina plug, I for interchangeable plugs, D for AC inlet desktop type, DG/0G for Gigabit type, DM/0M for Megabit type, DGS for Gigabit Surge type, Z can be U and F can be U, H, V, etc.
 - (4) Safety model number differs from the order number, part number, and shape number as per respective OEM/ODM factories.
- Kreco is not responsible for any error, and reserves the right to make changes without notice. Please visit our website at <https://www.kreco.com.cn> for the most up-to-date specifications and contact information.